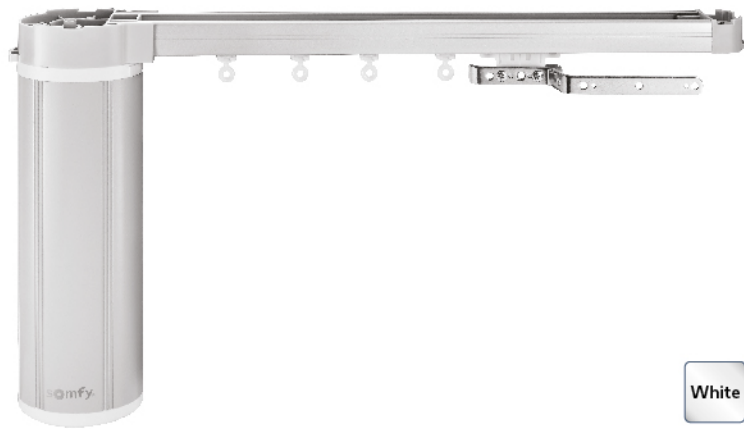


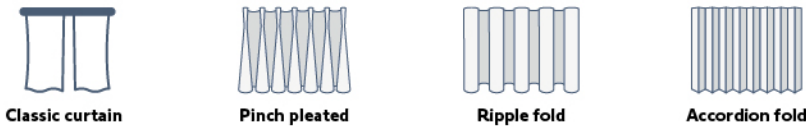
## Movelite™ 35 WT



### Somfy +

Movelite™ 35 WT motor with 35kg capacity for a 10m two-way straight track.

### Compatible end-products



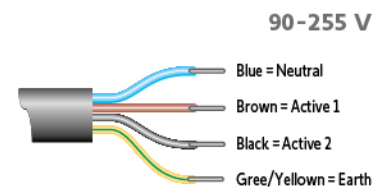
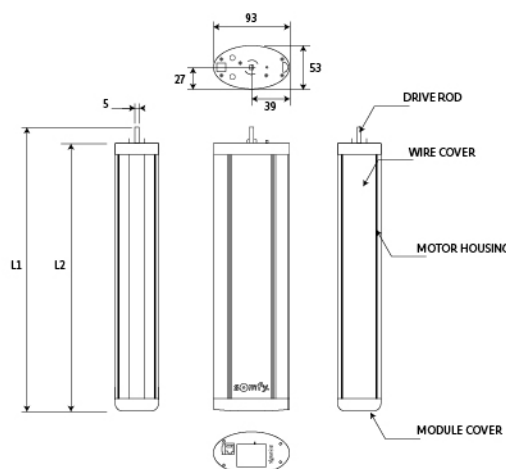
### Main functionalities



Manual operation possible in case of power failure

### Dimensions and Wiring

Motor length (L1)	312 mm
Motor length (L2)	293 mm



# Wired Curtain

## Moveelite™ 35 WT



### Technical features

Working temperature	0°C to +60°C 85%HR at 35°C ( +32°F to +140°F 85%HR at 95°F )
Storage temperature	-30°C to +80°C 85%HR at 35°C ( -22°F to +176°F 85%HR at 95°F )
Type of limit	Limits on hard stops
Index protection rating	IP 30
Approx. net weight of the motor	1120 g
Voltage range	90 to 264 Vac
Frequency range	47 to 63 Hz
Maximum current	0.6A at 120VAC ; 0.3A at 240VAC
Number of power cable wire	4
Insulation class	Class I
Maximum running time	2min 30s

### Performances

Curtain maximum weight	35 Kg
Track maximum length	10 m
Nominal torque	0.6 Nm
Speed	15 cm/s
Noise level	40.6 dB (A)
Control method	AC switch

### Certifications



## Movelite™ 35 DCT

DRY CONTACT

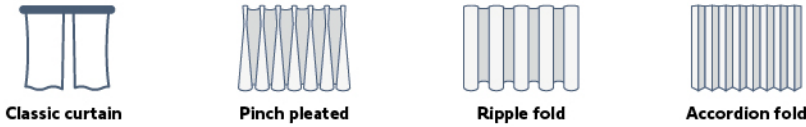


### Somfy +

Movelite™ 35 DCT motor with 35Kg capacity for a 10m two-way straight track.



### Compatible end-products



### Main functionalities



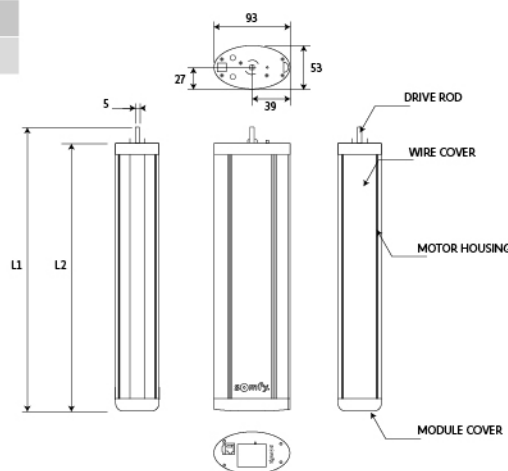
**Touch Motion**  
Open and close the curtain simply by pulling on the fabric.



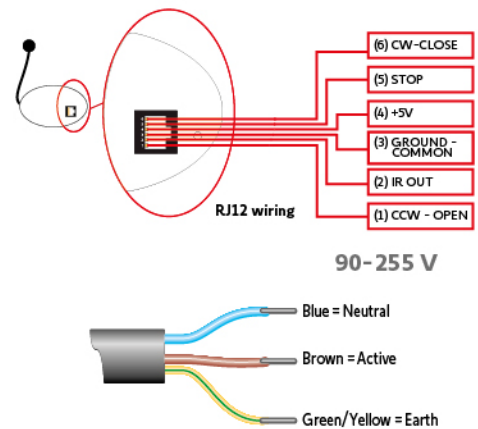
**Manual operation possible in case of power failure**

### Dimensions and Wiring

Motor length (L1)	312 mm
Motor length (L2)	293 mm



Main 90 to 255 VAC 47 to 63 Hz



# Wired Curtain

## Movelite™ 35 DCT

**DRY CONTACT**

### Technical features

Working temperature	0°C to +60°C 85%HR at 35°C ( +32°F to +140°F 85%HR at 95°F )
Storage temperature	-30°C to +80°C 85%HR at 35°C ( -22°F to +176°F 85%HR at 95°F )
Type of limit	Adjustable limits
Index protection rating	IP 30
Approx. net weight of the motor	1100 g
Voltage range	90 to 264 Vac
Frequency range	47 to 63 Hz
Maximum current	0.6A at 120VAC ; 0.3A at 240VAC
Number of power cable wire	3
Insulation class	Class I
Maximum running time	2min 30s

### Performances

Curtain maximum weight	35 Kg
Track maximum length	10 m
Nominal torque	0.6 Nm
Speed	15 cm/s
Noise level	40.6 dB (A)
Control method	2 or 3 normal open Dry Contact

### Certifications



## Movelite™ 35 RTS



### Somfy +

Movelite™ 35 RTS motor with 35Kg capacity for a 10m two-way straight track.

### Compatible end-products



### Main functionalities



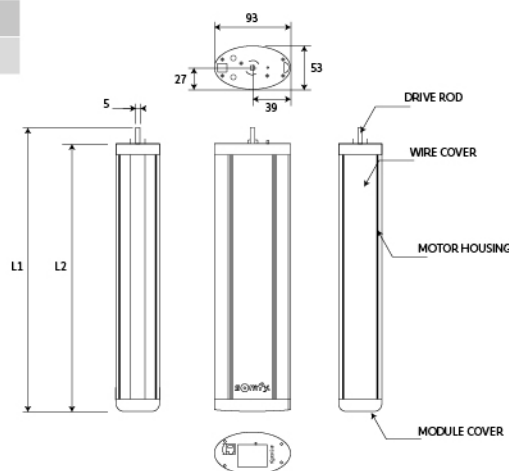
**Touch Motion**  
Open and close the curtain simply by pulling on the fabric.



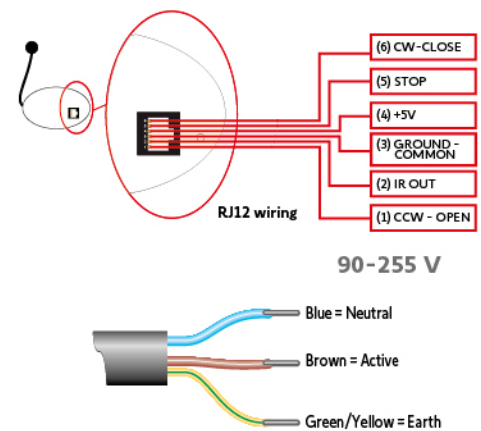
**Manual operation possible in case of power failure**

### Dimensions and Wiring

Motor length (L1)	312 mm
Motor length (L2)	293 mm



Main 90 to 255 VAC 47 to 63 Hz



# Wired Curtain

## Movelite™ 35 RTS



### Technical features

Working temperature	0°C to +60°C 85%HR at 35°C ( +32°F to +140°F 85%HR at 95°F )
Storage temperature	-30°C to +80°C 85%HR at 35°C ( -22°F to +176°F 85%HR at 95°F )
Type of limit	Adjustable limits
Index protection rating	IP 30
Approx. net weight of the motor	1000 g
Voltage range	90 to 264 Vac
Frequency range	47 to 63 Hz
Maximum current	0.6A at 120VAC ; 0.3A at 240VAC
Number of power cable wire	3
Insulation class	Class I
Maximum running time	2min 30s
Antenna	Integrated

### Performances

Curtain maximum weight	35 Kg
Track maximum length	10 m
Nominal torque	0.6 Nm
Speed	15 cm/s
Noise level	40.6 dB (A)
Control method	2 or 3 normal open Dry Contact
Radio protocol	Somfy RTS protocol
Radio frequency	433MHz, 426MHz, 447MHz
Radio range	200m in open field
Number of RTS transmitter	12 maximum

### Certifications

